

UniMax UM-225AX

WiFi 6, In-Wall Access Point

Datasheet



Features

Optimal link speed, New standard compliant

UM-225AX supports total link speed of 1800Mbps. It offers 600Mbps in 2.4GHz band and 1200Mbps in 5GHz band. Support for 5GHz 802.11ac standard radio provides best alternative to minimize interference and offer optimal performance to high end user devices.

2x2 Multiple Input and Multiple Output (MU-MIMO)

UM-225AX AP supports MIMO, allowing efficient utilization of available RF spectrum for data transmission. It helps deliver high throughput by doubling the link speed of transmitting device as compared to old generation wireless devices. For receiving device, MIMO improves receive sensitivity which translates into high SNR and better download throughput.

Self-configuration, plug and play

All Indio series APs are self-configurable and pure plug-and-play device. As soon as Indio AP is powered on and connected to the network, it downloads configuration from cloud or controller appliance and becomes operational within minutes.

Enterprise level security and Hotspot mode

All Indio series APs come with support for enterprise level wireless security along with support for hotspot mode or guest access. Different level of security and VLAN isolation helps in delivering secured and seamless connectivity services.

The UM-225AX is an IEEE 802.11ax, high performance in-wall wireless access point with multiple ports and supports MU-MIMO, Wave2.0, OFDMA and Seamless Roaming.

UM-225AX has combined WiFi speed of 1800Mbps over 2 radios: 2.4GHz (600Mbps 11ax 2*2) + 5GHz (1200Mbps 2*2), it is equipped with Gigabit WAN & LAN ports, supports MU-MIMO and DL/UL-OFDMA modulation. Faster ethernet data rate enables multiple users to upload or download multiple packets simultaneously and the narrower subcarrier spacing, and longer symbol time improve the stability and data processing efficiency. The access point can be used in high density access environments such as university campus, concert venue, gymnasium, etc.

Key Points:

- 802.11ax, Wave 2, 100+ users.
- Advance WiFi Features e.g., 2x2 MIMO.
- 1024QAM, long OFDM, DL/UL MIMO.
- Pure white, sleek, corner blended for best aesthetic in indoor environments.
- Designed for in-wall mounting.
- Managed by cloud, controller appliance or stand-alone mode.
- PoE (802.3af) powered.

AP Characteristics

Link Rate and Max Users	1800Mbps; 100 users *
Radios (built-in)	2.4GHz: 802.11b/g/n/ac/ax; 5GHz: 802.11 a/n/ac/ax
Radio Operations modes	WiFi Access Point, Gateway, Router
AP Managed	Cloud, Controller Appliance managed & Stand-alone mode
Antenna	2.4G: 2dBi; 5G: 4dBi
Power Consumption	14W
2.4GHz Output Power	20dBm
5.8GHz Output Power	20dBm
Chipset	MT7621DAT+MT7905DN+MT7975DN
Memory	128MB
Flash	SPI NOR 16MB
Interface	1 * 10/100 /1000 RJ45 WAN Port 4 * 10/100 /1000 RJ45 LAN Ports (Optional: 3*10/ 100/ 1000 RJ45 LAN, 1* RJ11)
Reset Button	1 * Reset button, press 10 seconds to revert to default setting
PoE	48V (IEEE 802.3af/at)

Environmental & Physical Data

Operating Temperature	-20°C ~55°C
Storage Temperature	-40 ~70 °C (-40 °F~158°F)
Operating Humidity	10% ~90% non-condensing
Storage Humidity	5%~90% non-condensing
Mounting	Wall Mount

RF Characteristics

Antenna Type	Internal
Antenna Gain	2dBi
Max. Transmit Power	100mw
Min. Receiver Sensitivity	-94dBm (2.4GHz) -90dBm (5.8GHz)
Link Rate	1800Mbps (Aggregate)

Under lab conditions only*

Regulatory Domains & Supported Channels

Americas (US)	2.4GHz: Channels 1 – 11 5GHz: Channels 36-64, 100-144, 149-165
European Union	2.4GHz: Channels 1 – 13 5GHz: Channels 36-64, 100-144
Taiwan	2.4GHz: Channels 1 – 11 5GHz: Channels 56-64, 100-144, 149-165
Japan	2.4GHz: Channels 1 – 13,14 5GHz: Channels 36-64, 100-144
Israel	2.4GHz: Channels 1 – 13 5GHz: Channels 36-64
Rest of the world	2.4GHz: Channels 1 – 13 5GHz: Channels 36-64, 100-144, 149-165

Wireless

WiFi Standards	802.11ax/ac/b/g/n, MIMO technology
Supported Rates	802.11ac: 6.5 to 433Mbps 802.11gn: 300Mbps 802.11b/g: 54Mbps
Supported Channels	Ch.1-13 for 2.4GHz Ch.36-165 for 5.8GHz
Speed	1200Mbps with 5GHz 600Mbps for 2.4GHz
MIMO/Spatial Streams	2x2:2 (2.4GHz) 2x2:2 (5GHz)
Wireless Security	64/128-bit WEP, WPA / WPA2, WPA-PSK/ WPA2-PSK encryption
Meshing	No
Modulation	1024-QAM, MU-MIMO, DL/UL-OFDMA
Frequency band	2.4GHz - 2.484GHz for 2.4GHz 5.15 ~ 5.85GHz for 5.8GHz

Ordering Information

Part No.	UM-225AX
----------	----------

Certifications	
EN 60950-1	Safety
CE	Compliant
FCC	Compliant
WPC	Yes
OpenWiFi	No
Passpoint	No

Software	
Standard Version	Bandwidth: 20Mhz, 20/40Mhz, 80Mhz
Operation Mode	Gateway, Wireless AP, Meshing
SSID No.	4 SSID for 2.4GHz 4 SSID for 5GHz
Factory Default Setting	Yes
Centralized Management by AP Controller	Yes
Firewall	DoS Protection, Firewall, IP Address Filter, MAC Address Filter, Domain Filter, IP and MAC Address Binding
Protocols	IPv4

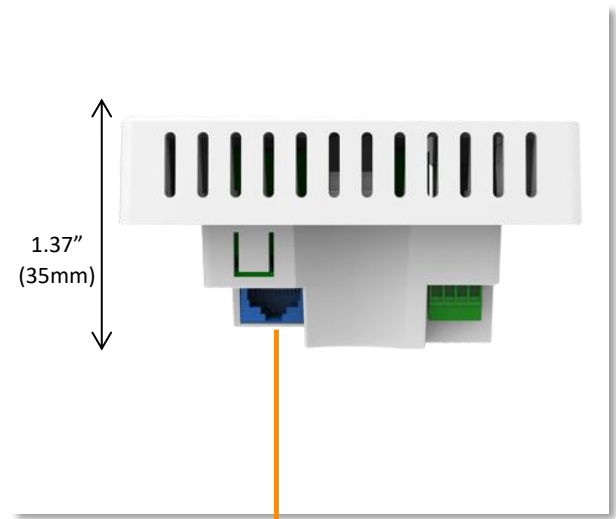
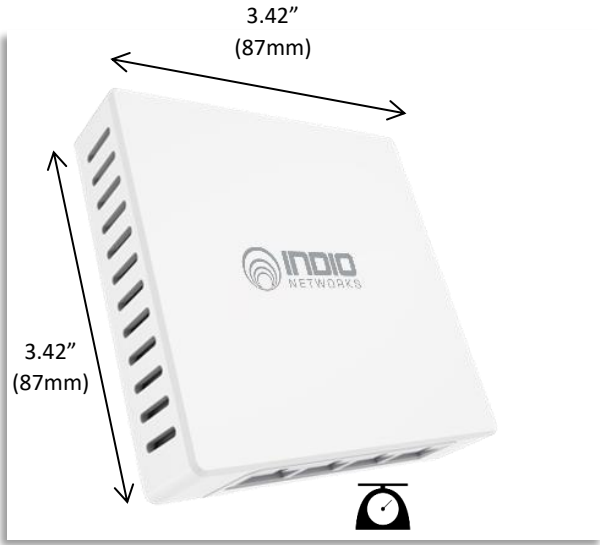
Networking	
Management Platform	UniBox (on-premise) Indio Cloud (Cloud) Standalone
IP	IPv4
VLAN	802.1q (static and dynamic using Radius) Port based
802.1x	Authentication and Supplicant
Tunnels	L2TP GRE
Policy	ACL Rate Limiting MAC Login

Controller Software	
Installation	Cloud or On-premise
Network Management	WLAN Controller, WLAN Cloud Controller Firmware Management
Authentication	RADIUS authentication, accounting, load balancing, 802.1x
Rate Limiting	Per Client, Per SSID, Dynamic Rate Limiting, MAC Authentication, MAC Filtering, Firewall
Guest Portals	Click-through, Data Capture, SMS/OTP, Payment Gateway, Social media login, Voucher, Username/Password
Troubleshooting	syslog, ping, traceroute, speed-test
SNMP	No
Time Sync	NTP
Data Offload	No
Client Presence / Location API	No

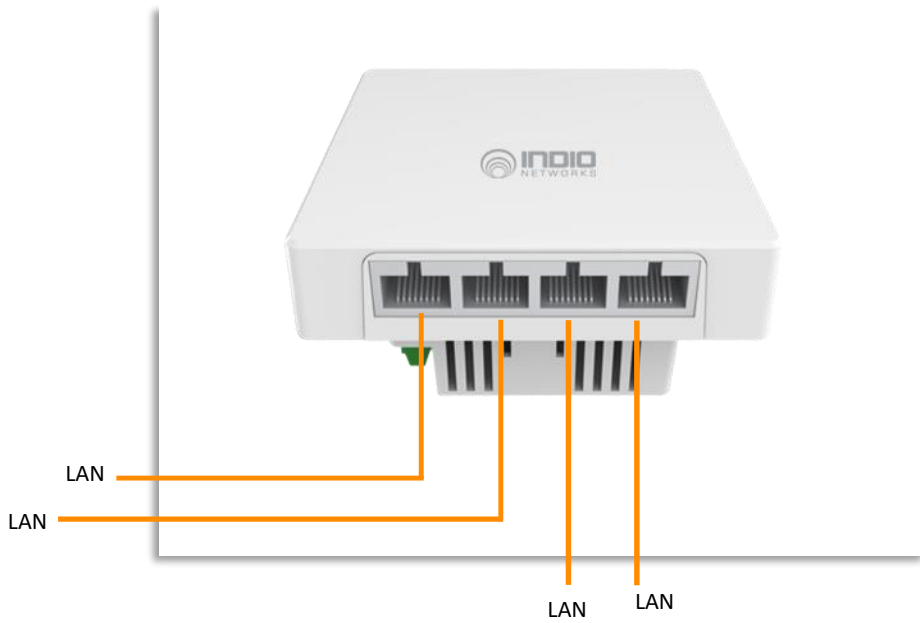
Performance Capacity	
Peak Data Rates	2.4GHz - 600Mbps 5GHz - 1200Mbps
Client Capacity	120 Concurrent devices *
SSID	4 Per radio

Radio Resource Management	
Channel Management	Auto-Channel Selection, Fast Roaming
Density Management	Band Steering, Transmit Power Control, User Load Balancing
QoS	Per SSID QoS, Per- Device QoS, Airtime Fairness

Accessories (optional)	
UM-PoE-24W	802.3af, 48V PoE Injector



WAN
(Internet Port)



Access Point Deployment

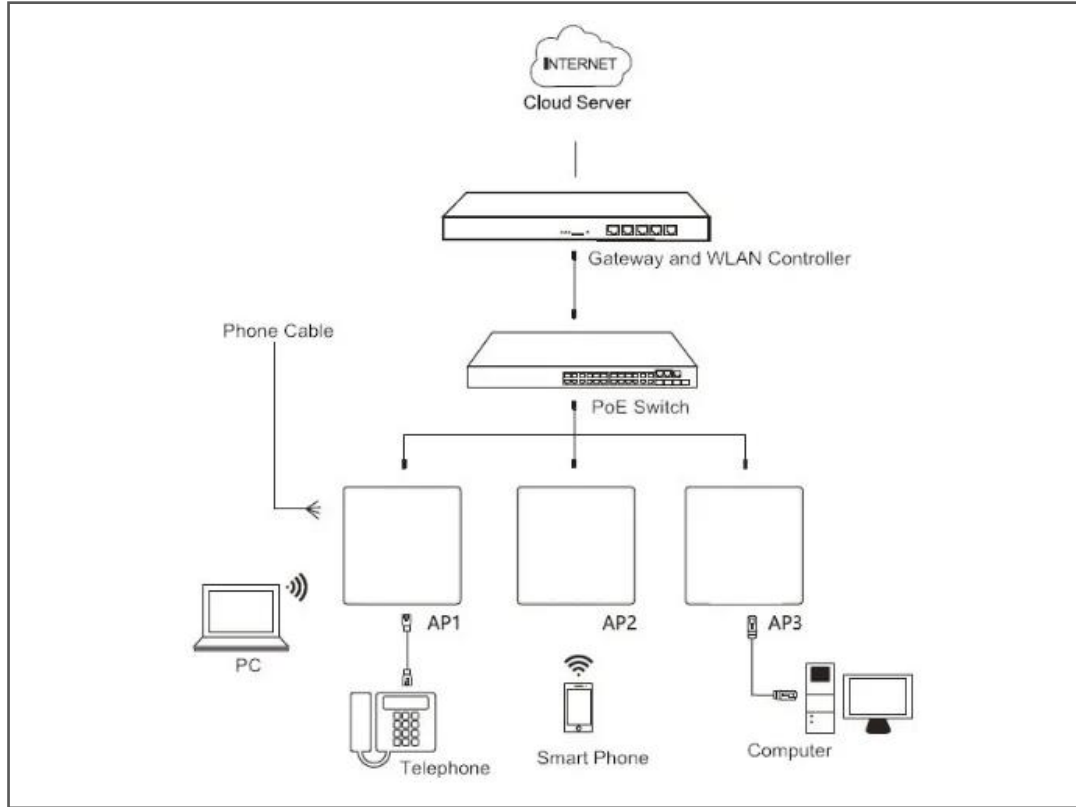


Figure 1. Indio access points with on-premise controller.

With over two decades of experience, we have worked closely in the wireless space essentially serving over 25+ million users till date. At Indio, we have seen disruptions in the tech sphere and worked alongside them. We solve problems where we see them, we evolve, innovate, and adapt. That's why, we constantly craft newer products and solutions to make your life easier. 'Simplifying connectivity' is a principle we hold dear, and we plan on bringing it to everyone, everywhere. With a strong presence in over three important geographies, being Asia, the Middle East and America, we are always available for quick and responsive customer support.

For more information visit- www.indionetworks.com

Indio Networks India, Head
Office C-410, Teerth
Technospace Baner,
Pune -411045, India

#1, Navarathana Gardens, 1st Floor, Sy. No.
68, Kanakapura Main Road, Bengaluru,
560062

Q4-172
SAIF Zone, Sharjah,
UAE

815-A Brazos St, Suite 326
Austin,
Texas - 78701 U.S.A.

5th Floor Centage
Plaza, 14 Allen Ave.
Ikeja, Nigeria



sales@indionetworks.com



+91 (20) 6715 7377
+1 888-280-4112



www.indionetworks.com