

UniMax UM-325AX

Dual-band 2x2 MIMO WiFi-6 Cloud & Controller Managed Access Point Datasheet



Features

High Data Rate, up to 3000Mbps

UM-325AX supports total aggregated link speed of 3000Mbps. It offers 600Mbps in 802.11n 40MHz channel in 2.4GHz band and 2400Mbps in 802.11ac 80MHz channel in 5GHz band. High link speed translates into very high throughput which results into great internet browsing experience for users.

Multi-user Multiple Input and Multiple Output (MU-MIMO)

UM-325AX AP supports MU-MIMO, allowing efficient utilization of available RF spectrum for data download. It also helps in providing a very high number of concurrent users connected with enough upload and download bandwidth.

Self-configuration, plug and play

All Indio series APs are self-configurable and pure plug-and-play device. As soon as Indio AP is powered on and connected to the network, it downloads configuration from cloud or controller appliance and becomes operational within minutes.

Enterprise level security and Hotspot mode

All Indio series APs come with support for enterprise level wireless security along with support for hotspot mode or guest access. Different level of security and VLAN isolation helps in delivering secured and seamless connectivity services.

The UM-325AX is a WiFi-6, two-radio, cloud & controller managed 2x2 MIMO 802.11ax/ac Wave 2 access point. Designed for general purpose, next generation deployments in indoor locations, the access point offers performance, enterprise-grade security, and intuitive management.

Indio UM-325AX delivers a maximum 3Gbps* aggregate frame rate with concurrent 2.4GHz and 5GHz radios. It delivers the high throughput, reliability, and flexibility required by the most demanding business applications like voice and high-definition streaming video, even in the harshest outdoor environment.

Key Points:

- Can be used as ceiling mount, wall mount/desktop device.
- Aggregate data rate of 3Gbps.
- Self-configuring, self-healing mesh.
- Inbuilt 5dBi Omnidirectional Antennas.
- Remote management via HTTP, HTTPS, Secure SSH, Telnet, SSL.
- Configuration file backup and restore by TFTP or FTP, HTML.
- Rich system information –AP status, station status, event logs.
- IPv4 and IPv6 dual stack support.
- IEEE 802.11a/b/g/n/ac/ax compliant.
- 2.4GHz and 5GHz concurrent radios.
- Manufactured in India.

AP Characteristics	
AP throughput and Max Users	3000Mbps; 100+ users
Radios (built-in)	2.4GHz:802.11b/g/n/ax; 5GHz: 802.11a/n/ac/ax
Radio Operations modes	WiFi Access Point, Mesh
AP Managed	Cloud Controller Appliance managed & Stand-alone mode
Antenna	Inbuilt 5dBi omnidirectional antennas
Interface	a/b/g/n/ac WiFi certified
PoE	48V PoE+
Power Consumption	24W max
Power Source	Power-over-Ethernet: 802.3af/at or Proprietary 48V IEEE 802.11e Compliant Source Active Ethernet (PoE)
2.4GHz Output Power	24dBm
5.8GHz Output Power	26dBm
Ports	WAN- 1x10/100/1000/2500Mbps LAN- 1x10/100/1000Mbps
Chipset	Qualcomm® 1Ghz Quad-Core CPU with dedicated NSS
Memory	512MB
Flash	32MB
Interfaces	1xLAN, 1xWAN
Reset Button	1
DC	12V – 2A DC

Wireless	
WiFi Standards	IEEE 802.11 a/b/g/n/ac/ax
Supported Rates	2.4GHz: Max 600Mbps 5GHz: Max 2400Mbps
MIMO	2x2
Spatial Streams	2
Security	WPA/WPA2
Frequency Radio	2.4GHz: 2400 MHz ~ 2482 MHz 5GHz: 5150 MHz ~ 5250 MHz, 5250 MHz ~ 5350 MHz, 5470 MHz ~ 5725 MHz, 5725MHz ~ 5850MHz
Other Features	WMM, Power Save, 802.11r/k/v Hotspot Service Captive Portal WISPr

Environmental & Physical Data	
Operating Temperature	-20°C~60°C
Humidity	5~95%
Mounting	Ceiling/Wall mount

Ordering Information	
Part No	Indio UM-325AX

Certifications

EN 60950-1	Safety
WPC	Yes
OpenWiFi	Compliant
Passpoint	Compliant

Networking

Management Platform	UniBox (on-premise) Indio Cloud Standalone
IP	IPv4 / IPv6
VLAN	802.1Q (static and dynamic using Radius) Port based
802.1x	Authentication and Supplicant
Tunnels	VPN GRE
Policy	ACL Rate Limiting Device Fingerprinting

Performance Capacity

Peak Data Rates	2.4GHz- 573.5Mbps 5GHz- 2402Mbps
Client Capacity	128+ Concurrent devices
SSID	8 Per Radio

Controller Software

Installation	Cloud or On-premise managed
Network Management	WLAN Controller Appliance, WLAN Cloud Controller Firmware Management
Authentication	RADIUS authentication, 802.1x, PSK, SAE
Rate Limiting	Per Client, Per SSID, Dynamic Rate Limiting MAC Authentication MAC Filtering Firewall
Guest Portals	Indio Cloud portals Click-through, Data Capture, SMS/OTP, Payment Gateway, Social-Media, Voucher
Troubleshooting	syslog, ping, traceroute, speed-test
SNMP	No
Time Sync	NTP
Data Offload	Yes
Client Presence / Location API	No

Accessories

UM-PoE-30W	30W PoE Injector (On-demand)
UM-DC-12V	12V, 2A DC Power Supply (On-demand)

2.4GHz Table

Operating Band	Operating Mode	Data Rate	TX Power	RX Sensitivity
2.4 GHz	802.11b	1 Mb/s	27 dBm	-96 dBm
		2 Mb/s	27 dBm	-93 dBm
		5.5 Mb/s	27 dBm	-91 dBm
		11 Mb/s	27 dBm	-89 dBm
		6 Mb/s	27 dBm	-91 dBm
		9 Mb/s	27 dBm	-90 dBm
		2.4 GHz	802.11g	12 Mb/s
18 Mb/s	26 dBm			-87 dBm
24 Mb/s	26 dBm			-84 dBm
36 Mb/s	26 dBm			-81 dBm
48 Mb/s	25 dBm			-76 dBm
54 Mb/s	25 dBm			-75 dBm
MCS0/8	27/27 dBm			-91/91 dBm
MCS1/9	27/27 dBm			-88/88 dBm
2.4 GHz	802.11n (HT20)	MCS2/10	26/26 dBm	-85/85 dBm
		MCS3/11	26/26 dBm	-82/82 dBm
		MCS4/12	25/25 dBm	-79/79 dBm
		MCS5/13	25/25 dBm	-75/75 dBm
		MCS6/14	25/25 dBm	-73/73 dBm
		MCS7/15	24/24 dBm	-70/70 dBm
		MCS0/8	27/27 dBm	-89/89 dBm
		MCS1/9	27/27 dBm	-86/86 dBm
2.4 GHz	802.11n (HT40)	MCS2/10	26/26 dBm	-83/83 dBm
		MCS3/11	26/26 dBm	-80/80 dBm
		MCS4/12	25/25 dBm	-77/77 dBm
		MCS5/13	25/25 dBm	-73/73 dBm
		MCS6/14	25/25 dBm	-72/72 dBm
		MCS7/15	24/24 dBm	-70/70 dBm

5GHz Table

Operating Band	Operating Mode	Data Rate	TX Power	RX Sensitivity
5 GHz	802.11a	6 Mb/s	26 dBm	-90dBm
		9 Mb/s	26 dBm	-87dBm
		12 Mb/s	26 dBm	-86dBm
		18 Mb/s	26 dBm	-85dBm
		24 Mb/s	25 dBm	-84dBm
		36 Mb/s	25 dBm	-79dBm
		48 Mb/s	25 dBm	-74dBm
		54 Mb/s	26 dBm	-71dBm
5 GHz	802.11n (HT20)	MC50/8	26/26 dBm	-88/-88dBm
		MCS1/9	26/26 dBm	-85/-85dBm
		MCS2/10	25/25 dBm	-83/-83dBm
		MCS3/11	25/25 dBm	-79/-79dBm
		MCS4/12	24/24 dBm	-76/-76dBm
		MCS5/13	24/24 dBm	-72/-72dBm
		MCS6/14	23/23 dBm	-71/-71dBm
		MCS7/15	23/23 dBm	-69/-69dBm
5 GHz	802.11n(VHT20)	MCS0/0	26/26 dBm	-88/-88dBm
		MCS1/1	26/26 dBm	-86/-86 dBm
		MCSZ/2	25/25 dBm	-83/-83dBm
		MCS3/3	25/25 dBm	-79/-79dBm
		MCS4/4	24/24 dBm	-77/-77dBm
		MCS5/5	24/24 dBm	-75/-75dBm
		MCS6/6	23/23 dBm	-72/-72dBm
		MCS7/7	23/23 dBm	-70/-70dBm
	MCSB/8	22/22 dBm	-67/-67dBm	

5GHz Table

Operating Band	Operating Mode	Data Rate	TX Power	RX Sensitivity
5 GHz	802.11n (HT40)	MCS0/8	26/26dBm	-85/-85dBm
		MCS1/9	26/26dBm	-84/-84dBm
		MC52/10	25/25dBm	-84/-84dBm
		MCS3/11	25/25dBm	-79/-79dBm
		MESA/12	24/24dBm	-77/-77dBm
		MCS5/13	24/24dBm	-72/-72dBm
		MC56/14	23/23dBm	-70/-70dBm
		MC57/15	23/23dBm	-68/-68dBm
5 GHz	802.11n (VHT40)	MCS0/0	26/26dBm	-85/-85dBm
		MCS1/1	26/26dBm	-82/-82dBm
		MCS2/2	25/25dBm	-79/-79Bm
		MCS3/3	25/25dBm	-77/-77dBm
		MCSAB	24/24dBm	-74/-74dBm
		MCS5/5	24/24dBm	-70/-70dBm
		MCS6/6	23/23dBm	-68/-68dBm
		MC57/7	23/23dBm	-67/-67dBm
		MCS8/8	22/22dBm	-64/-64dBm
MCS9/9	22/22dBm	-63/-63dBm		
5GHz	802.11ac (VHT80)	MCS0/0	26/26dBm	-83/-83dBm
		MCS1/1	26/26dBm	-81/-81dBm
		MCS2/2	25/25dBm	-79/-79dBm
		MCS3/3	25/25dBm	-76/-76dBm
		MCS4/4	24/24dBm	-73/-73dBm
		MCS5/5	24/24dBm	-70/-70dBm
		MCS6/6	23/23dBm	-67/-67 dBm
		MCS7/7	23/23dBm	-66/-66dBm
		MCSB/8	22/22dBm	-62/-62dbm
MCS9/9	22/22dBm	-60/-60dBm		

Access Point Deployment

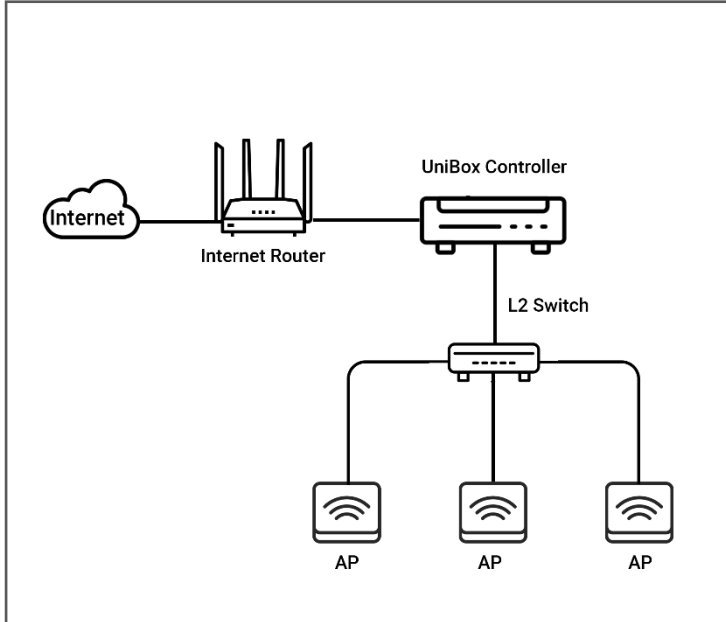


Figure 1. Indio access point with Indio's UniBox on-premise controller. (Enterprise/Venue deployment)

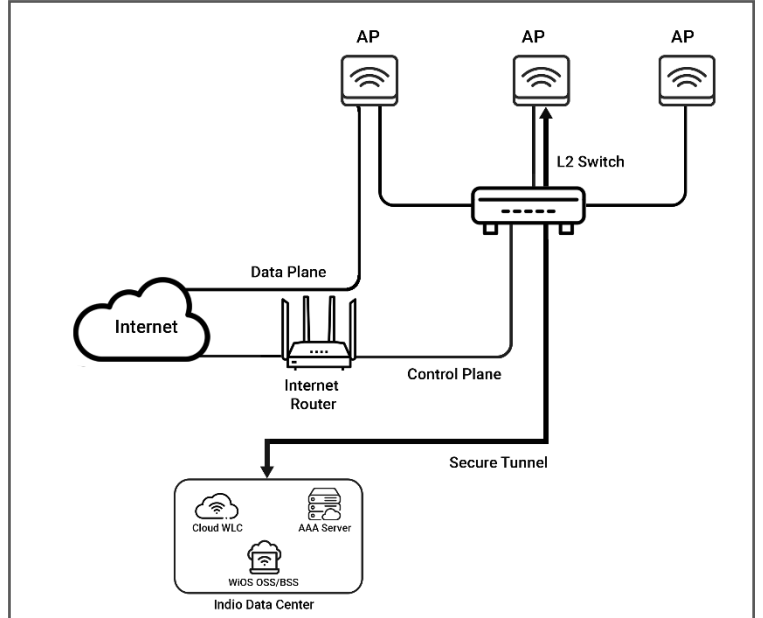


Figure 2. Indio access point with Indio's WiOS cloud controller.

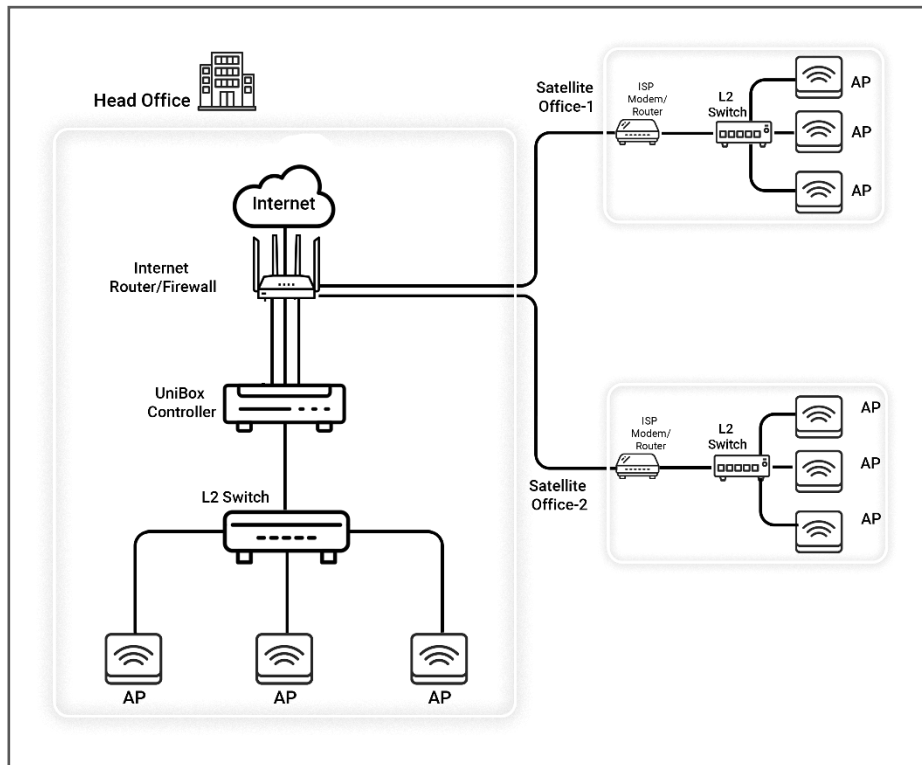


Figure 3. Indio access point with central controller. (Distributed deployment)

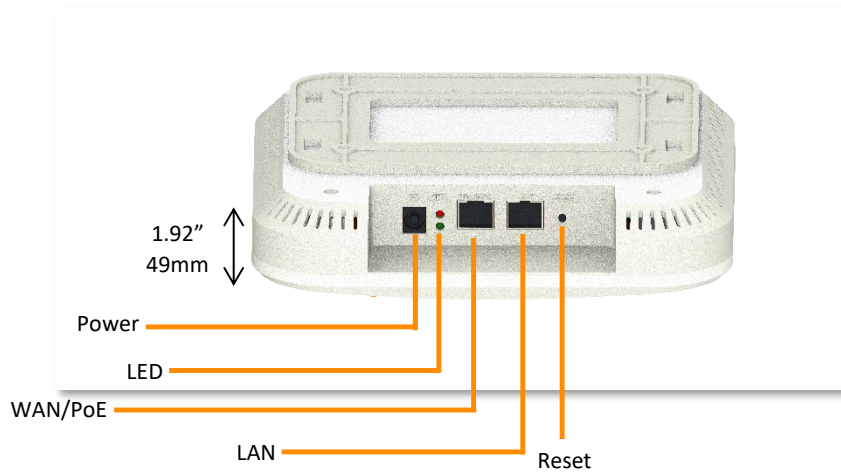
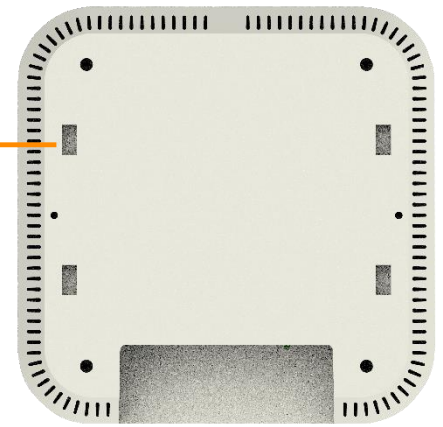
UniMax UM-325AX

Dual-band 2x2 MIMO WiFi-6 Access Point



1211g
(2.66lbs)

Wall mounting
keyholes



With over two decades of experience, we have worked closely in the wireless space essentially serving over 25+ million users till date. At Indio, we have seen disruptions in the tech sphere and worked alongside them. We solve problems where we see them, we evolve, innovate and adapt. That's why, we constantly craft newer products and solutions to make your life easier. 'Simplifying connectivity' is a principle we hold dear, and we plan on bringing it to everyone, everywhere. With a strong presence in over three important geographies, being Asia, the Middle East and America, we are always available for quick and responsive customer support.

For more information visit- www.indionetworks.com

Indio Networks India, Head Office
C-410, Teerth Technospace Baner,
Pune - 411045, India

#1, Navarathana Gardens, 1st Floor, Sy. No.
68, Kanakapura Main Road, Bengaluru,
560062

UAE P.O.Box -
120360, Sharjah,
UAE

USA 815-A Brazos St, Suite
326 Austin,
Texas - 78701 U.S.A.

Africa 5th Floor
Centage Plaza, 14
Allen Ave. Ikeja,



sales@indionetworks.com



91 (20) 6715 7377
+1 888-280-4112



www.indionetworks.com

Copyright © Indio Networks Pvt. Ltd. 2024. (f.k.a. WiFi-Soft Solutions) All rights reserved. DO NOT COPY without prior permission. THIS DOCUMENT IS FOR INFORMATION PURPOSES ONLY, AND DOES NOT CONSTITUTE ANY KIND OF WARRANTIES. All specifications in this document are subject to change without notice.